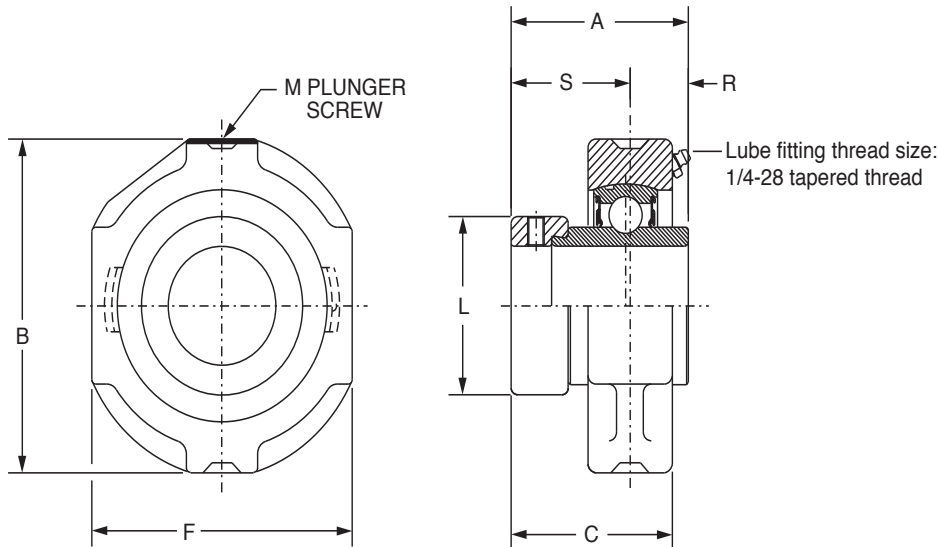
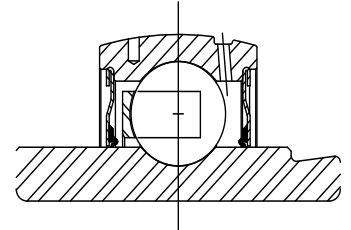


# SELECTION/DIMENSIONS



## Eccentric Collar Ball Bearings SXR NORMAL DUTY HANGER BEARINGS



Series	Shaft Size	Part No.	Description
206	1-1/16	<b>131259</b>	HNG-SXR-101
	1-1/8	<b>131260</b>	HNG-SXR-102
	1-3/16	<b>131261</b>	HNG-SXR-103
	1-1/4	<b>@</b>	HNG-SXR-104S
207	1-1/4	<b>131263</b>	HNG-SXR-104
	1-5/16	<b>131264</b>	HNG-SXR-105
	1-3/8	<b>131265</b>	HNG-SXR-106
	1-7/16	<b>131266</b>	HNG-SXR-107
210	1-15/16	<b>131275</b>	HNG-SXR-115
	2	<b>131276</b>	HNG-SXR-200

@ Assembled to order

Series	Shaft Size	Weight lbs	A	B	C	F	L	M	R	S
206	1-1/16	2.0	1.77	3.63	1.50	3.00	1.75	1/2	0.58	1.19
	1-1/8	1.9								
	1-3/16	1.8								
	1-1/4	1.7								
207	1-1/4	3.2	1.95	4.25	1.68	3.50	2.13	1/2	0.67	1.28
	1-5/16	3.0								
	1-3/8	2.8								
	1-7/16	2.6								
210	1-15/16	6.2	2.25	5.00	2.00	4.19	2.75	1/2	0.75	1.50
	2	6.0								

FEATURES/BENEFITS PAGE B7-3	HOW TO ORDER/NOMENCLATURE PAGE B7-7	EASY SELECTION PAGE B7-8	ACCESSORIES PAGE B7-44
--------------------------------	--	-----------------------------	---------------------------